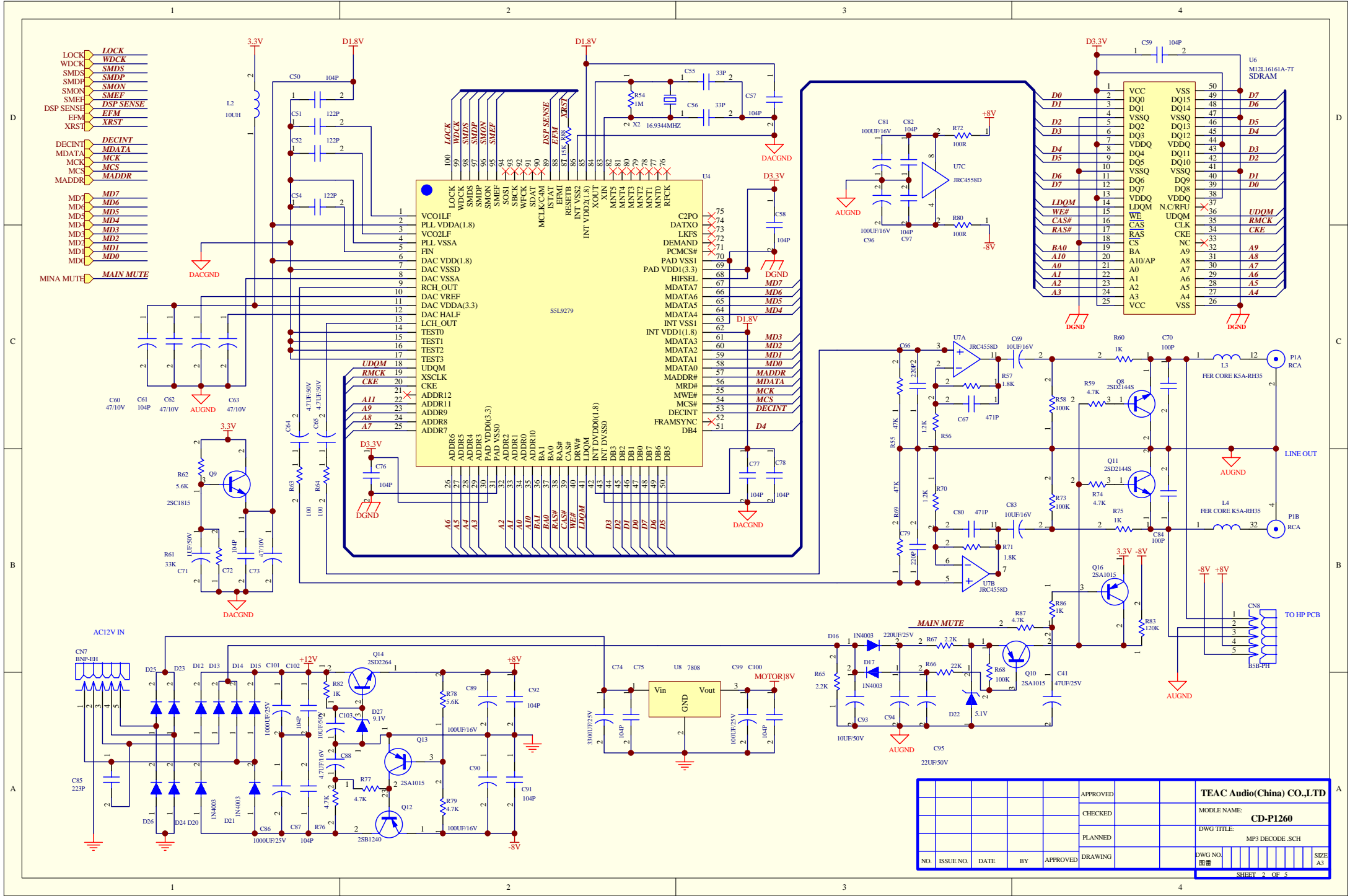
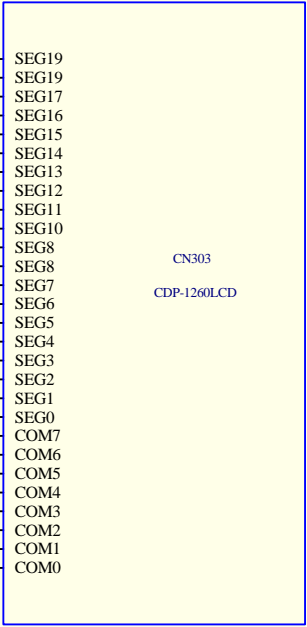
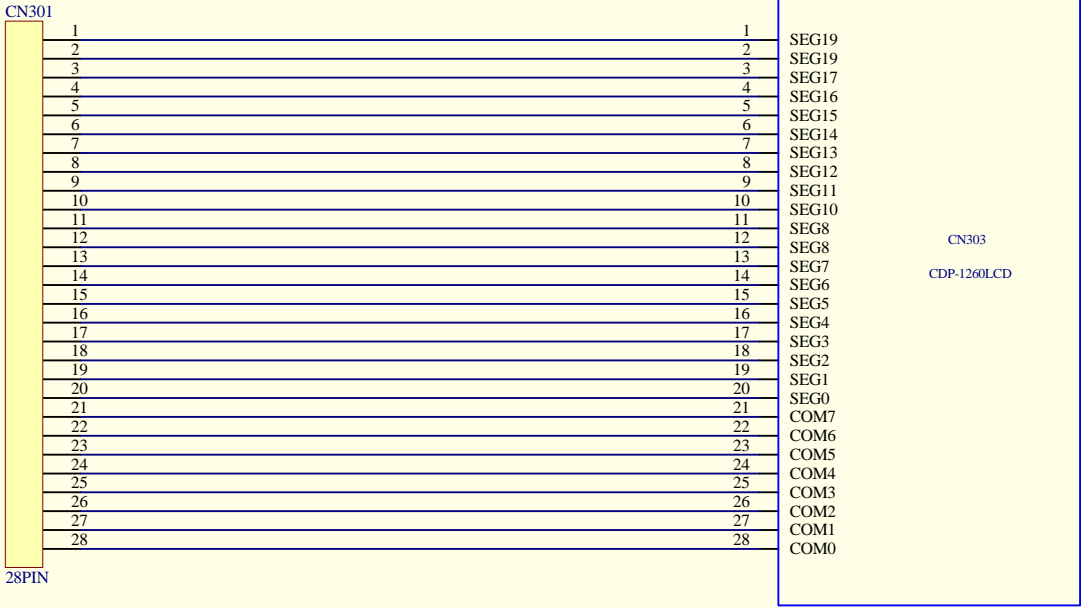
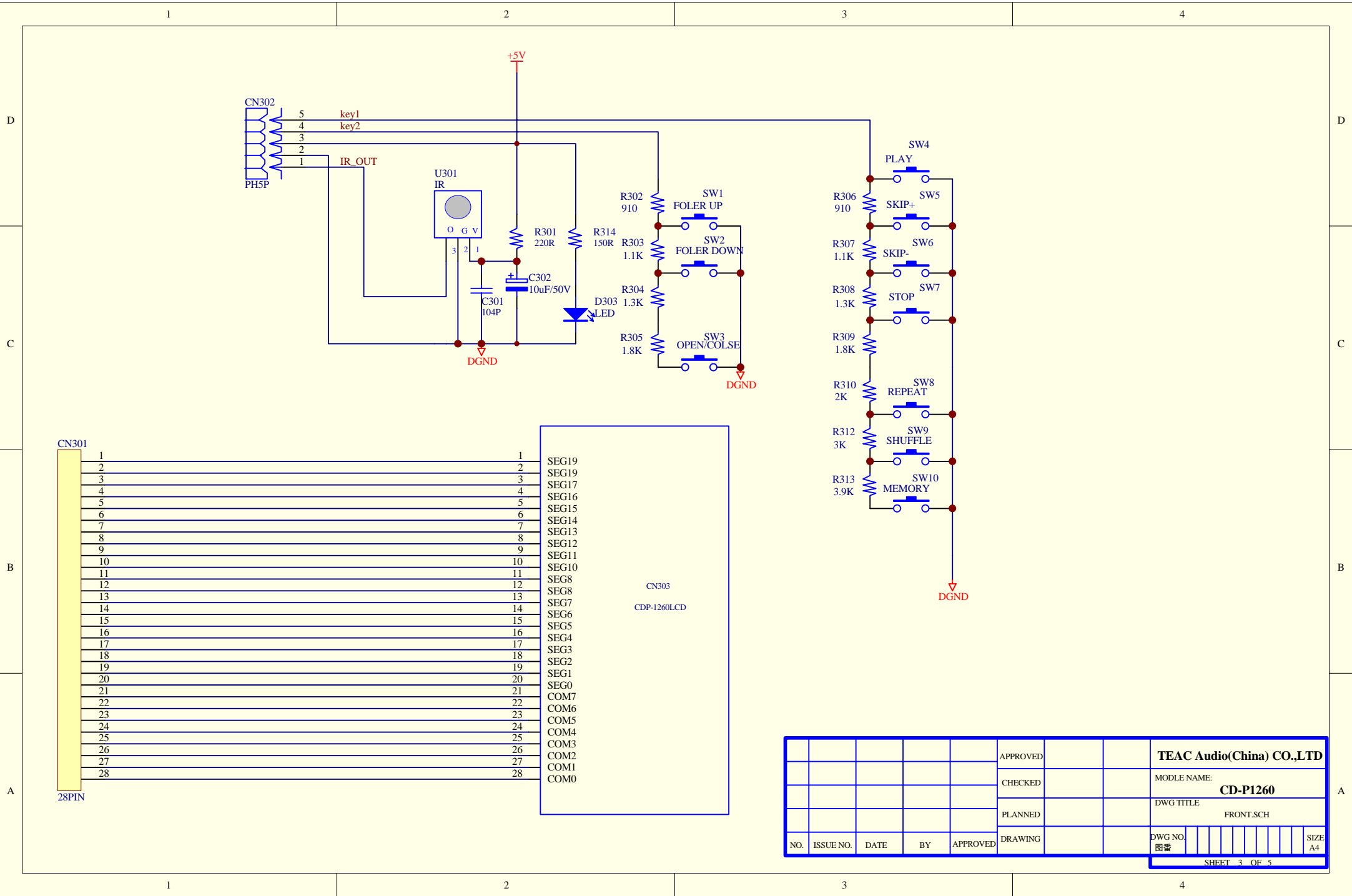


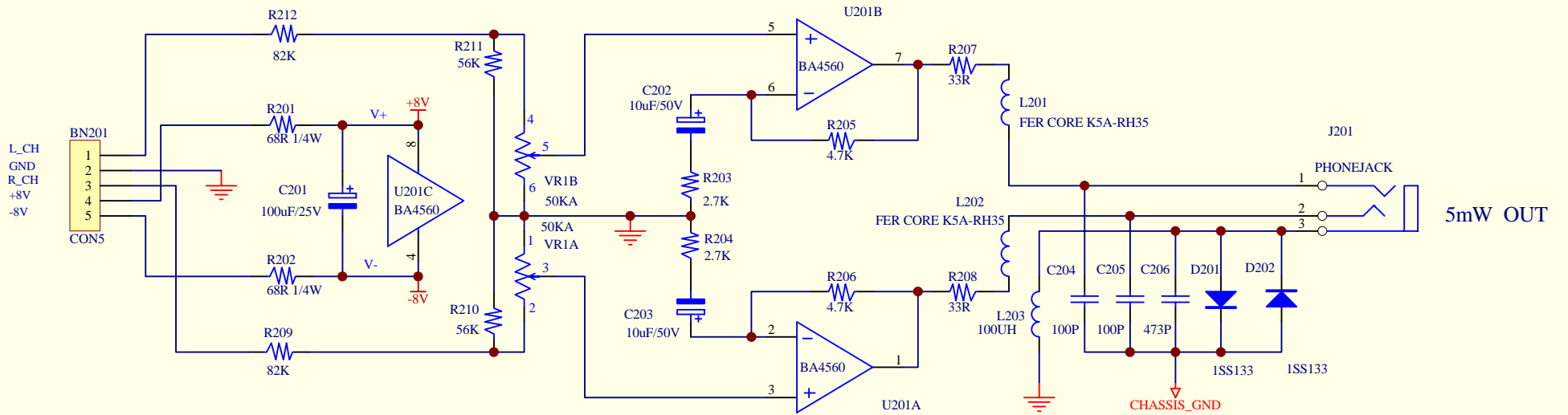
					APPROVED		TEAC Audio(China) CO.,LTD	
					CHECKED		MODULE NAME:	CD-P1260
					PLANNED		DWG TITLE:	CD Servo_SCH
							DWG NO:	
							数量	尺寸
NO.	ISSUE NO.	DATE	BY	APPROVED	DRAWING		SHEET 1 OF 5	



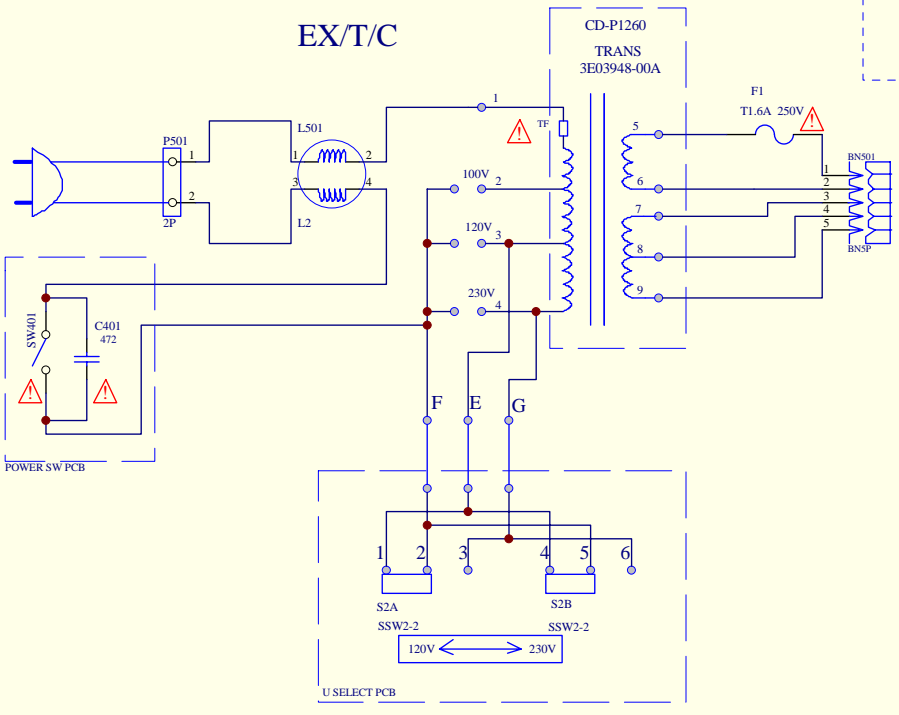
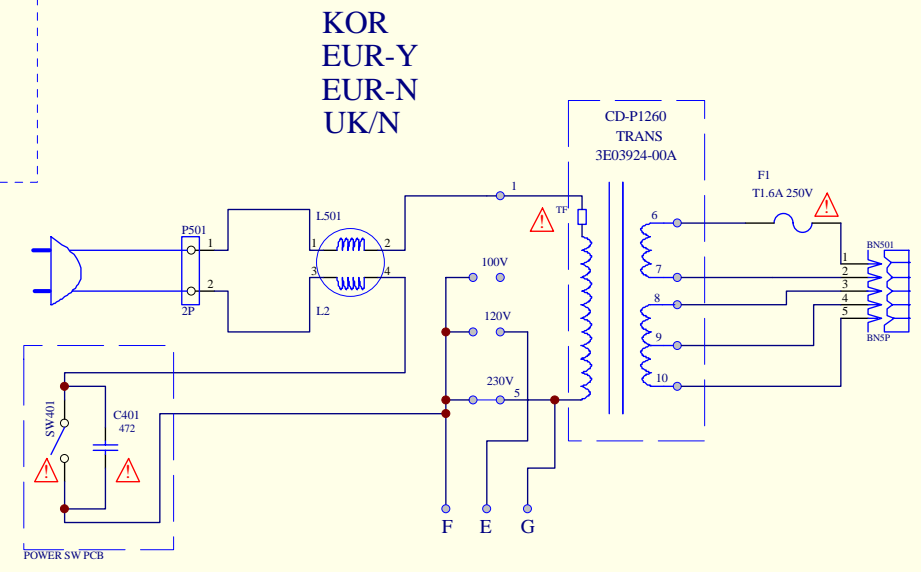
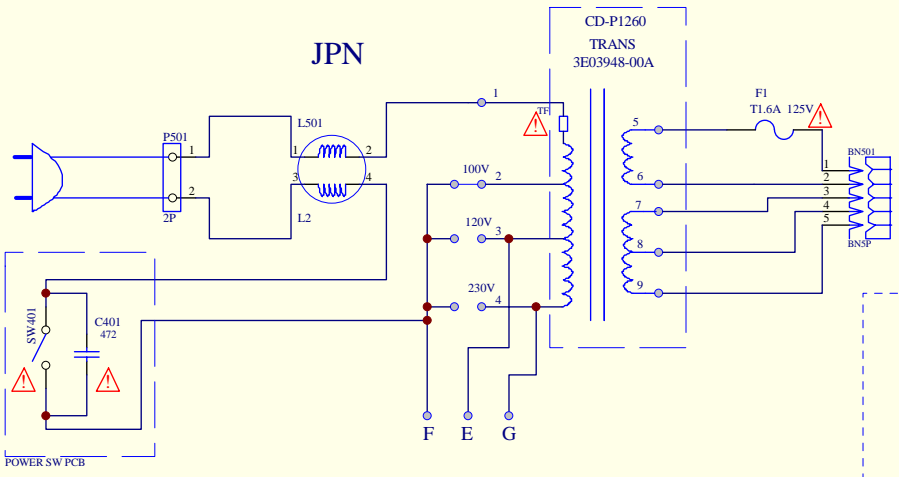
					APPROVED		TEAC Audio(China) CO.,LTD		
					CHECKED		MODEL NAME: CD-P1260		
					PLANNED		DWG TITLE: MP3 DECODE .SCH		
					DRAWING		DWG NO. 图番		
NO.	ISSUE NO.	DATE	BY	APPROVED			SIZE A3		
							SHEET 2 OF 5		



					APPROVED			TEAC Audio(China) CO.,LTD	
					CHECKED			MODLE NAME: CD-P1260	
					PLANNED			DWG TITLE FRONT.SCH	
					DRAWING			DWG NO. 图番	SIZE A4
SHEET 3 OF 5									



					APPROVED			TEAC Audio(China) CO.,LTD				
					CHECKED			MODLE NAME: CD-P1260				
					PLANNED			DWG TITLE: H/P.SCH				
					DRAWING			DWG NO.				SIZE
NO.	ISSUE NO.	DATE	BY	APPROVED				图番				A4
SHEET 4 OF 5												



					APPROVED		TEAC Audio(China) CO.,LTD	
					CHECKED		MODULE NAME: CD-P1260	
					PLANNED		DWG TITLE POWERSCH	
					DRAWING		DWG NO. 图番	
NO.	ISSUE NO.	DATE	BY	APPROVED				SIZE A3
								SHEET 3 OF 5